

ROBUS®

OUTDOOR

OPTIC LED CCT2 OVAL BULKHEAD

8W, IP65



PRODUCT INFORMATION DOCUMENT

FEATURES

- Suitable for use in retail shops, public buildings, communal areas, sports centres, stairwells, corridors, walkways
- LED replacement for 18W PL fittings
- CCT selectable between 3000K and 4000K via switch located on the LED plate
- UV-stabilized housing with very high impact resistance of IK10

CONSTRUCTION

- Fully polycarbonate construction
- Stainless steel mounting brackets and fixings
- 3-way push-in connector block



WARRANTY



LUMINAIRE LIFETIME



LUMENS PER W



IK RATING



IP RATING



OPERATING VOLTAGE



BEAM ANGLE



DIMMING



CCT



SAFETY CLASS

Product Code:	ROP8X0-01	ROP8X0-04
Comparable to:	18W PL Fluorescent	18W PL Fluorescent
Total Power (W):	7.9/7.9	7.9/7.8
Power Factor:	0.9	0.9
Total Light Output (lm):	690/740	680/690
Total Emergency Light Output (lm):	NA	NA
Efficacy (lm/cctW):	89/95	86/89
Lux at 1m (lux):	90/100	80/80
Emergency Lux at 1m (lux):	NA	NA
CCT (K):	3000/4000	3000/4000
CRI:	80	80
IP:	65	65
Operation Temperature (°C):	-20 ≤ Ta ≤ +40	-20 ≤ Ta ≤ +40
Inrush Current:	11A/1.2us	11A/1.2us
RG Value:	0	0
SDCM:	6	6
P _{ST} LM:	NA	NA
SVM:	NA	NA
Energy Class:	C	C
Rated Life to L70B50 (Hrs):	30000	30000
Dimensions LxWxH (mm):	290x200x100	290x200x100
Weight (kg):	0.74	0.74
Separate Control Gear Information		
Type of Light Source:	LED	LED
Full Load Efficiency (%):	92	92
P _{NET} (W):	NA	NA
Dimensions (mm):	47x31x32	47x31x32

Product is certified to all the relevant standards.

Please contact our technical department for market specific compliances.

PLEASE NOTE: INFORMATION IN THIS DOCUMENT MAY BE SUBJECT TO CHANGE WITHOUT PRIOR NOTICE

IRE: TEL: +353 1 709 9000
 UK: TEL: 0800 973 220
 AUS: TEL: +61 7 3890 5444
 NZ: TEL: +64 03 668 5285

WEB: ROB.US.COM
 WEB: ROB.US.COM
 WEB: ROB.US.COM.AU
 WEB: ROB.USLED.CO.NZ

LED GROUP EUROPE · UK · AUSTRALIA · NEW ZEALAND · ASIA · MIDDLE EAST · AFRICA

OPTIC LED CCT2 OVAL BULKHEAD

8W, IP65

Cone Illuminance Diagram

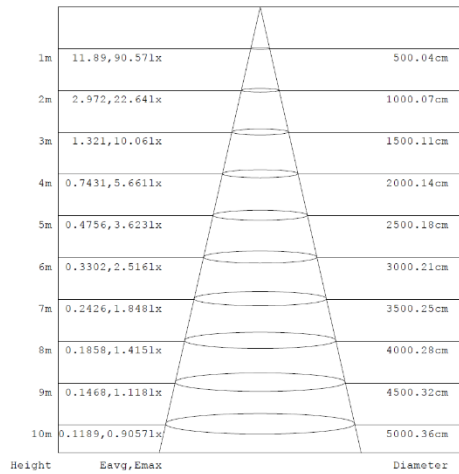
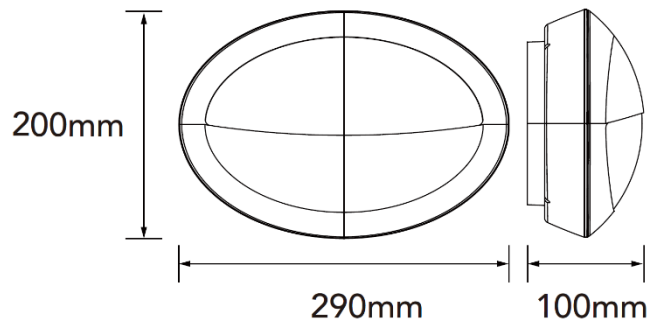


Diagram for ROP8X0-01 in 3000K. Other diagrams available on request

Dimension Diagram



Sensor Data

Time Off Delay:	NA
Illuminance Switching Range:	NA
Sensitivity Range (%):	NA
Mounting Height (max):	NA
Detection Zone Diameter (max):	NA

Polar Intensity Diagram

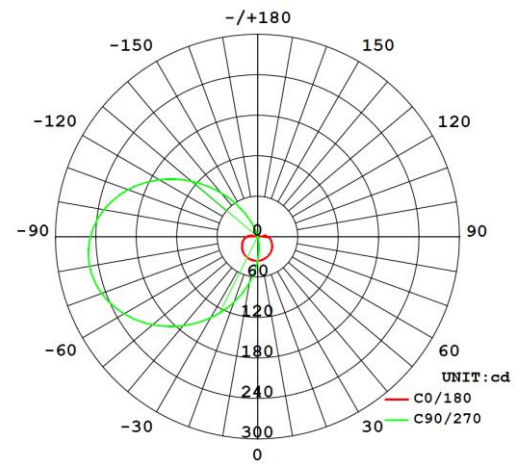


Diagram for ROP8X0-01 in 3000K. Other diagrams available on request

Accessories

NA